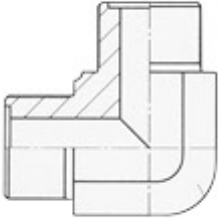
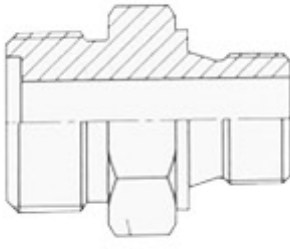
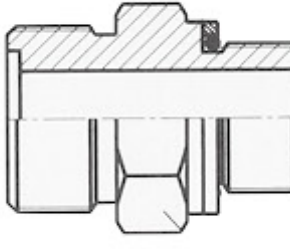
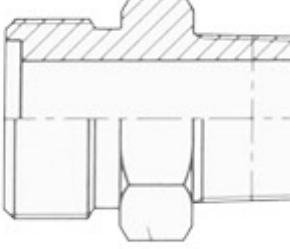
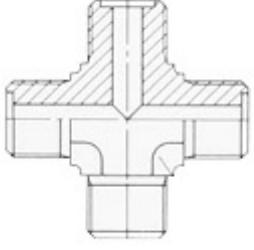
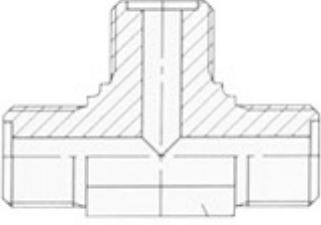
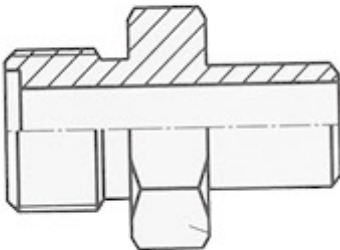
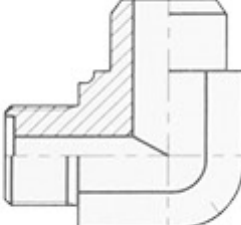
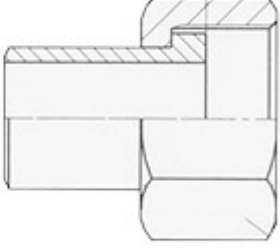
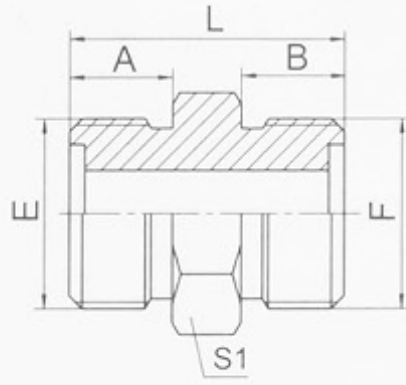
 1E P74	 1E9 P74	 1EL P75	 1EH P75	 1ET P76
 XE P76	 AE P77	 1EW P77	 1EW9 P78	 2WE P78



焊接式管接头 JOINTING TYPE TUBE FITTINGS

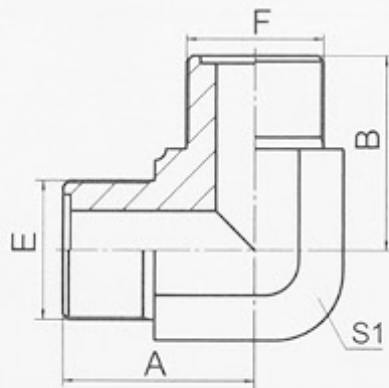


1E (JB970-77)

公制外螺纹 O 形圈平面密封
METRIC MALE O-RING

代号 PART NO.	螺纹 THREAD		O 形圈 O-RING		尺寸 DIMENSIONS			
	E	F	E 端	F 端	A	B	L	S1
1E-12	M12X1.25	M12X1.25	8X1.9	8X1.9	11	11	28	14
1E-14	M14X1.5	M14X1.5	10X1.9	10X1.9	11	11	28	17
1E-16	M16X1.5	M16X1.5	11X1.9	11X1.9	11	11	28	17
1E-18	M18X1.5	M18X1.5	13X1.9	13X1.9	11	11	28	19
1E-22	M22X1.5	M22X1.5	16X2.4	16X2.4	12	12	32	24
1E-27	M27X1.5	M27X1.5	20X2.4	20X2.4	13	13	36	30
1E-30	M30X1.5	M30X1.5	24X2.4	24X2.4	14	14	39	32
1E-36	M36X2	M36X2	30X3.1	30X3.1	16	16	43	38
1E-39	M39X2	M39X2	32X3.1	32X3.1	18	18	49	41
1E-42	M42X2	M42X2	35X3.1	35X3.1	20	20	53	46
1E-45	M45X2	M45X2	38X3.1	38X3.1	21	21	55	46
1E-52	M52X2	M52X2	40X3.1	40X3.1	22	22	59	55
1E-60	M60X2	M60X2	45X3.1	45X3.1	24	24	65	65
1E-64	M64X2	M64X2	50X3.1	50X3.1	27	27	71	70

注：O 形圈参数为外径与线径。 Note: The parameter of O-Ring is ring outside diameter and ring width.



1E9 (JB971-77)

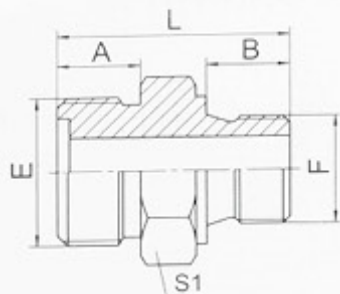
90° 公制外螺纹 O 形圈平面密封
90° METRIC MALE O-RING

代号 PART NO.	螺纹 THREAD		O 形圈 O-RING		尺寸 DIMENSIONS		
	E、F		E、F 端		A	B	S1
1E9-12	M12X1.25		8X1.9		20.5	20.5	12
1E9-14	M14X1.5		10X1.9		22.5	22.5	14
1E9-16	M16X1.5		11X1.9		24	24	17
1E9-18	M18X1.5		13X1.9		26	26	19
1E9-22	M22X1.5		16X2.4		29	29	22
1E9-27	M27X1.5		20X2.4		32.5	32.5	27
1E9-30	M30X1.5		24X2.4		35.5	35.5	30
1E9-36	M36X2		30X3.1		42	42	36
1E9-39	M39X2		32X3.1		47.5	47.5	41
1E9-42	M42X2		35X3.1		49.5	49.5	41
1E9-45	M45X2		38X3.1		52.5	52.5	46
1E9-52	M52X2		40X3.1		57	57	50

注：O 形圈参数为外径与线径。 Note: The parameter of O-Ring is ring outside diameter and ring width.



焊接式管接头 JOINTING TYPE TUBE FITTINGS



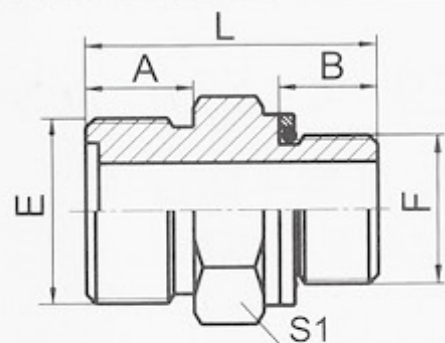
1EL (JB984-77)

公制外螺纹 O 形圈平面密封 / 公制外螺纹组合垫圈
METRIC MALE O-RING/METRIC
MALE WITH BONDED SEAL

代号 PART NO.	螺 纹 THREAD		密封圈 SEAL		尺 寸 DIMENSIONS				
	E	F	E 端	F 端	A	B	L	S1	
1EL-14	M14X1.5	M14X1.5	10X1.9	ZHD-14	11	12	30.5	19	
1EL-14-16	M14X1.5	M16X1.5	10X1.9	ZHD-16	11	12	31	22	
1EL-14-18	M14X1.5	M18X1.5	10X1.9	ZHD-18	11	12	32.5	24	
1EL-14-22	M14X1.5	M22X1.5	10X1.9	ZHD-22	11	14	36.5	27	
1EL-16-14	M16X1.5	M14X1.5	11X1.9	ZHD-14	11	12	29	19	
1EL-16-18	M16X1.5	M18X1.5	11X1.9	ZHD-16	11	12	31	24	
1EL-22-18	M22X1.5	M18X1.5	16X2.4	ZHD-18	12	12	33.5	24	
1EL-27-22	M27X1.5	M22X1.5	18X2.4	ZHD-22	13	14	38.5	30	
1EL-27-33	M27X1.5	M33X2	18X2.4	ZHD-33	13	18	44	41	
1EL-30-18	M30X1.5	M18X1.5	24X2.4	ZHD-18	14	12	38.5	32	
1EL-30-27	M30X1.5	M27X2	24X2.4	ZHD-27	14	16	41	34	
1EL-36-33	M36X2	M33X2	30X3.1	ZHD-33	16	18	49	41	
1EL-36-48	M36X2	M48X2	30X3.1	ZHD-48	16	22	53	60	
1EL-45-42	M45X2	M42X2	38X3.1	ZHD-42	21	20	56	50	
1EL-52-48	M52X2	M48X2	40X3.1	ZHD-48	22	22	61	60	

注：E 端 O 形圈参数为外径与线径，F 端用组合垫密封。

Note: The parameter of E end O-Ring is ring outside diameter and ring width. F end is sealed with bonded seal.



1EH

公制外螺纹 O 形圈平面密封 / 公制外螺纹 ISO 6149-2
METRIC MALE O-RING/ METIRC MALE ISO 6149-2

代号 PART NO.	螺 纹 THREAD		O 形圈 O-RING		尺 寸 DIMENSIONS				
	E	F	E 端	F 端	A	B	L	S1	
1EH-12-10	M12X1.25	M10X1	8X1.9	O08.1X1.6	11	8.5	26.5	14	
1EH-14-12	M14X1.5	M12X1.5	10X1.9	O09.3X2.4	11	11	29.5	17	
1EH-16-14	M16X1.5	M14X1.5	11X1.9	O11.3X2.4	11	11	29.5	19	
1EH-18-16	M18X1.5	M16X1.5	13X1.9	O13.3X2.4	11	11.5	31.5	22	
1EH-22-18	M22X1.5	M18X1.5	16X2.4	O15.3X2.4	12	12.5	34.5	24	
1EH-27-22	M27X1.5	M22X1.5	20X2.4	O19.3X2.4	13	15	38	30	
1EH-30-27	M30X1.5	M27X2	24X2.4	O23.5X3.0	14	18.5	43.5	32	
1EH-36-33	M36X2	M33X2	30X3.1	O29.2X3.0	16	18.5	47.5	41	
1EH-39-33	M39X2	M33X2	32X3.1	O29.2X3.0	18	18.5	49.5	41	
1EH-42	M42X2	M42X2	35X3.1	O38.5X3.0	20	19	54	50	
1EH-45-42	M45X2	M42X2	38X3.1	O38.5X3.0	20	19	54	50	
1EH-52-48	M52X2	M48X2	40X3.1	O44.5X3.0	22	21.5	58.5	55	

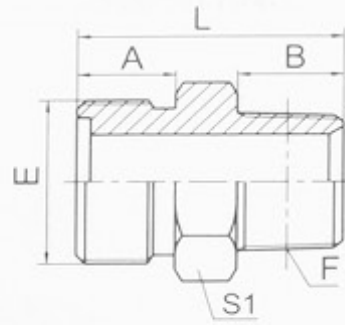
注：1 E 端 O 形圈参数为外径与线径。 2 F 端与 ISO 9974-1 油口相配，去掉挡圈与 ISO 6149-1 油口相配。

Note:1 The parameters of E end O-Ring are ring outside diameter and ring width.

2 F end is connected with ISO 9974-1 port and connected with ISO 6149-1 port without retaining ring.



焊接式管接头 JOINTING TYPE TUBE FITTINGS

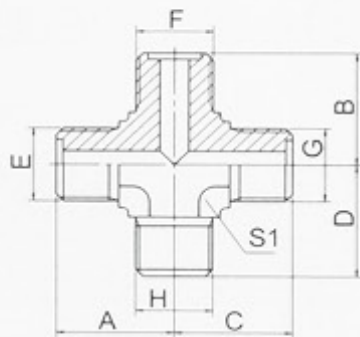


1ET-SP

公制外螺纹 O 形圈平面密封 / 英锥管外螺纹
METRIC MALE O-RING/BSPT MALE

代号 PART NO.	螺纹 THREAD		O 形圈 O-RING		尺寸 DIMENSIONS				
	E	F	E 端		A	B	L	S1	
1ET-14-04SP	M14X1.5	R1/4"X19	10X1.9		11	14.5	31.5	14	
1ET-14-06SP	M14X1.5	R3/8"X19	10X1.9		11	15	32	17	
1ET-16-04SP	M16X1.5	R1/4"X19	11X1.9		11	14.5	31.5	17	
1ET-16-06SP	M16X1.5	R3/8"X19	11X1.9		11	15	32	17	
1ET-18-06SP	M18X1.5	R3/8"X19	13X1.9		11	15	32	19	
1ET-18-08SP	M18X1.5	R1/2"X14	13X1.9		11	20	37	22	
1ET-22-08SP	M22X1.5	R1/2"X14	16X2.4		12	20	40	24	
1ET-22-12SP	M22X1.5	R3/4"X14	16X2.4		12	20	40	27	
1ET-27-08SP	M27X1.5	R1/2"X14	20X2.4		13	20	43	30	
1ET-27-12SP	M27X1.5	R3/4"X14	20X2.4		13	20	43	30	
1ET-30-12SP	M30X1.5	R3/4"X14	24X2.4		14	20	45	32	
1ET-36-12SP	M36X2	R3/4"X14	30X3.1		16	20	47	38	
1ET-36-16SP	M36X2	R1"X11	30X3.1		16	25.5	52.5	38	
1ET-39-16SP	M39X2	R1"X11	32X3.1		18	25.5	56.5	41	
1ET-39-20SP	M39X2	R1.1/4"X11	32X3.1		18	26.5	57.5	46	
1ET-42-20SP	M42X2	R1.1/4"X11	35X3.1		20	26.5	59.5	46	
1ET-45-20SP	M45X2	R1.1/4"X11	38X3.1		21	26.5	60.5	46	
1ET-52-24SP	M52X2	R1.1/2"X11	40X3.1		22	26.5	63.5	55	

注：E 端 O 形圈参数为外径与线径。Note: The parameter of E end O-Ring is ring outside diameter and ring width.



XE (JB991-77)

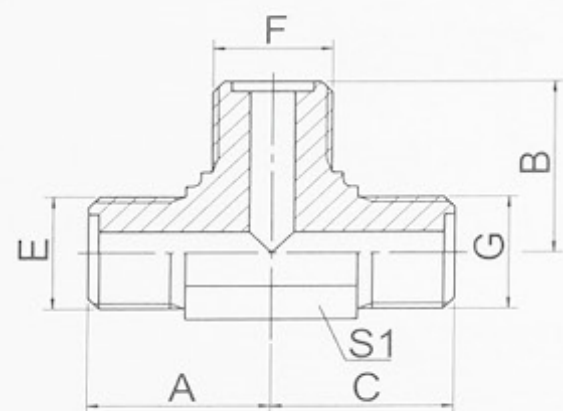
公制外螺纹 O 形圈平面密封 四通接头
METRIC MALE O-RING CROSS

代号 PART NO.	螺纹 THREAD		O 形圈 O-RING		尺寸 DIMENSIONS				
	E、F、G、H		E、F、G、H 端		A	B	C	D	S1
XE-14	M14X1.5		10X1.9		22.5	22.5	22.5	22.5	14
XE-16	M16X1.5		11X1.9		24	24	24	24	17
XE-18	M18X1.5		13X1.9		26	26	26	26	19
XE-22	M22X1.5		16X2.4		29	29	29	29	22
XE-27	M27X1.5		20X2.4		32.5	32.5	32.5	32.5	27
XE-30	M30X1.5		24X2.4		35.5	35.5	35.5	35.5	30
XE-36	M36X2		30X3.1		42	42	42	42	36
XE-39	M39X2		32X3.1		47.5	47.5	47.5	47.5	41
XE-42	M42X2		35X3.1		49.5	49.5	49.5	49.5	41
XE-45	M45X2		38X3.1		52.5	52.5	52.5	52.5	46
XE-52	M52X2		40X3.1		57	57	57	57	50

注：O 形圈参数为外径与线径。Note: The parameter of O-Ring is ring outside diameter and ring width.



焊接式管接头 JOINTING TYPE TUBE FITTINGS

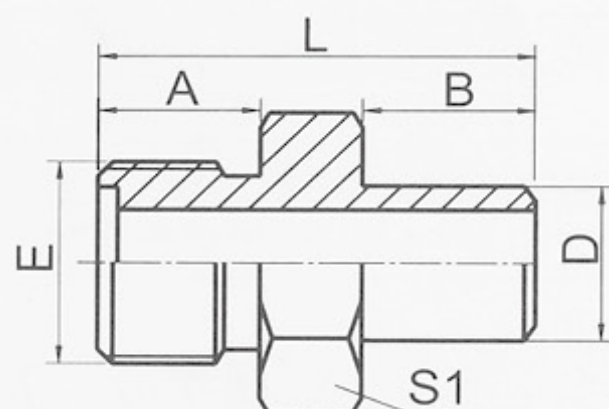


AE (JB990-77)

公制外螺纹 O 形圈平面密封 三通接头
METRIC MALE O-RING TEE

代号 PART NO.	螺 纹 THREAD		O 形圈 O-RING		尺 寸 DIMENSIONS				
	E、F、G		E、F、G 端		A	B	C	S1	
AE-14	M14X1.5		10X1.9		22.5	22.5	22.5	14	
AE-16	M16X1.5		11X1.9		24	24	24	17	
AE-18	M18X1.5		13X1.9		26	26	26	19	
AE-22	M22X1.5		16X2.4		29	29	29	22	
AE-27	M27X1.5		20X2.4		32.5	32.5	32.5	27	
AE-30	M30X1.5		24X2.4		35.5	35.5	35.5	30	
AE-36	M36X2		30X3.1		42	42	42	36	
AE-39	M39X2		32X3.1		47.5	47.5	47.5	41	
AE-42	M42X2		35X3.1		49.5	49.5	49.5	41	
AE-45	M45X2		38X3.1		52.5	52.5	52.5	46	
AE-52	M52X2		40X3.1		57	57	57	50	

注：O 形圈参数为外径与线径。Note: The parameter of O-Ring is ring outside diameter and ring width.



1EW (JB988-77)

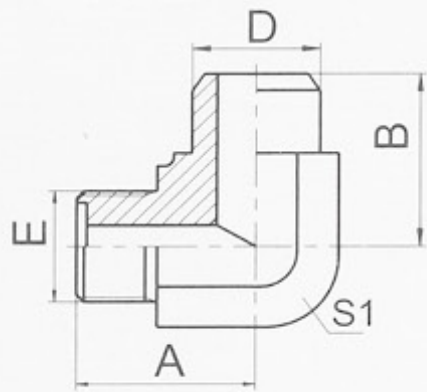
公制外螺纹 O 形圈平面密封 / 焊接管
METRIC MALE O-RING/BUTT-WELD TUBE

代号 PART NO.	螺 纹 THREAD	管子直径 TUBE O.D.	O 形圈 O-RING		尺 寸 DIMENSIONS				
	E		E 端		A	B	D	L	S1
1EW-12-06	M12X1.25	6	8X1.9		11	8	6	24	14
1EW-14-08	M14X1.5	8	10X1.9		11	8	8	25	17
1EW-16-10	M16X1.5	10	11X1.9		11	8	10	25	17
1EW-18-12	M18X1.5	12	13X1.9		11	12	12	29	19
1EW-22-14	M22X1.5	14	16X2.4		12	12	14	32.5	24
1EW-27-18	M27X1.5	18	20X2.4		13	12	18	35	30
1EW-30-22	M30X1.5	22	24X2.4		14	14	22	39	32
1EW-36-28	M36X2	28	30X3.1		16	16	28	43	38
1EW-39-30	M39X2	30	32X3.1		18	16	30	47	41
1EW-42-34	M42X2	34	35X3.1		20	16	34	49	46
1EW-45-38	M45X2	38	38X3.1		21	18	38	51	46
1EW-52-42	M52X2	42	40X3.1		22	18	42	55	55

注：E 端 O 形圈参数为外径与线径。
Note: The parameter of E end O-Ring is ring outside diameter and ring width.



焊接式管接头 JOINTING TYPE TUBE FITTINGS

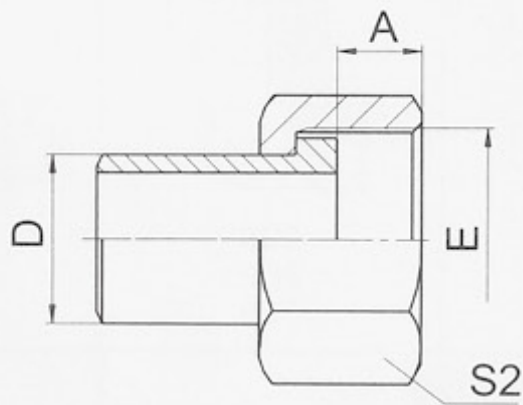


1EW9 (JB989-77)

90° 公制外螺纹 O 形圈平面密封 / 焊接管
90° METRIC MALE O-RING/BUTT-WELD TUBE

代号 PART NO.	螺纹 THREAD	管子直径 TUBE O.D.	O 形圈 O-RING		尺寸 DIMENSIONS				
	E		E 端	A	B	D	S1		
1EW9-12-06	M12X1.25	6	8X1.9		20.5	16.5	6		12
1EW9-14-08	M14X1.5	8	10X1.9		22.5	17.5	8		14
1EW9-16-10	M16X1.5	10	11X1.9		24	19.5	10		17
1EW9-18-12	M18X1.5	12	13X1.9		26	25	12		19
1EW9-22-14	M22X1.5	14	16X2.4		29	27	14		22
1EW9-27-18	M27X1.5	18	20X2.4		32.5	29.5	18		27
1EW9-30-22	M30X1.5	22	24X2.4		35.5	33.5	22		30
1EW9-36-28	M36X2	28	30X3.1		42	39	28		36
1EW9-39-30	M39X2	30	32X3.1		47.5	43	30		41
1EW9-42-34	M42X2	34	35X3.1		49.5	43	34		41
1EW9-45-38	M45X2	38	38X3.1		52.5	47.5	38		46
1EW9-52-42	M52X2	42	40X3.1		57	50	42		50

注：E 端 O 形圈参数为外径与线径。Note: The parameter of E end O-Ring is ring outside diameter and ring width.



2WE

焊接管 / 公制内螺纹 O 形圈平面密封。
BUTT-WELD TUBE/METRIC FEMALE O-RING

代号 PART NO.	螺纹 THREAD	管子直径 TUBE O.D.	尺寸 DIMENSIONS				
	E		A	D	S2		
2WE-06-12	M12X1.25	6		8	6	14	
2WE-08-14	M14X1.5	8		8.5	8	17	
2WE-10-16	M16X1.5	10		8.5	10	19	
2WE-12-18	M18X1.5	12		8.5	12	22	
2WE-14-22	M22X1.5	14		10	14	27	
2WE-18-27	M27X1.5	18		10	18	32	
2WE-22-30	M30X1.5	22		11	22	36	
2WE-28-36	M36X2	28		13	28	41	
2WE-30-39	M39X2	30		13	30	46	
2WE-34-42	M42X2	34		15	34	50	
2WE-38-45	M45X2	38		15	38	55	
2WE-42-52	M52X2	42		17	42	60	
2WE-50-60	M60X2	50		20	50	70	
2WE-52-64	M64X2	52		23	52	75	