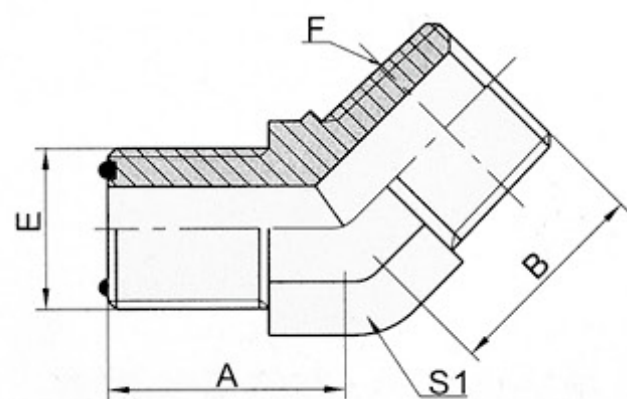


1FN

美制 ORFS 外螺纹 O 形圈平面密封 / 布锥管外螺纹
ORFS MALE O-RING / NPT MALE

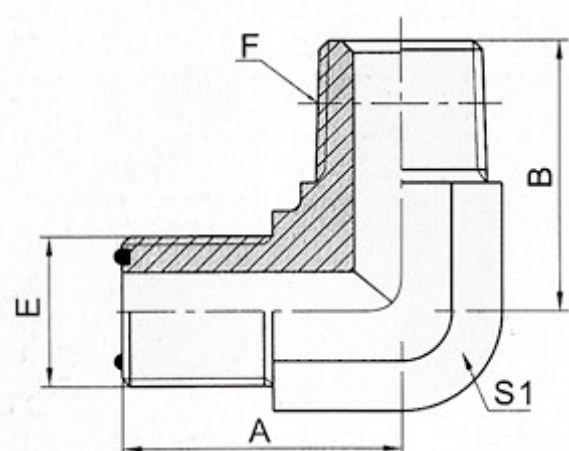
代号 PART NO.	螺纹 THREAD		O 形圈 O-RING		尺寸 DIMENSIONS			
	E	F	E 端		A	B	L	S1
1FN-04-02	9/16"X18	Z1/8"X27	O011		9.8	10.5	26.5	17
1FN-04	9/16"X18	Z1/4"X18	O011		9.8	15	30.5	17
1FN-04-06	9/16"X18	Z3/8"X18	O011		9.8	16	30.5	19
1FN-06-04	11/16"X16	Z1/4"X18	O012		11.2	15	32	19
1FN-06	11/16"X16	Z3/8"X18	O012		11.2	16	33.5	19
1FN-06-08	11/16"X16	Z1/2"X18	O012		11.2	19.5	39	22
1FN-08-06	13/16"X16	Z1/4"X18	O014		12.8	15	36	22
1FN-08-06	13/16"X16	Z3/8"X18	O014		12.8	16	36.5	22
1FN-08	13/16"X16	Z1/2"X14	O014		12.8	19.5	40	22
1FN-08-12	13/16"X16	Z3/4"X14	O014		12.8	19.5	42.5	27
1FN-10-08	1"X14	Z1/2"X14	O016		15.5	19.5	45	27
1FN-10-12	1"X14	Z3/4"X14	O016		15.5	19.5	45	30
1FN-12-08	1.3/16"X12	Z1/2"X14	O018		17	19.5	46.5	32
1FN-12	1.3/16"X12	Z3/4"X14	O018		17	19.5	47	32
1FN-12-16	1.3/16"X12	Z1"X11.5	O018		17	25.5	53.5	36
1FN-16-12	1.7/16"X12	Z3/4"X14	O021		17.5	19.5	48	38
1FN-16	1.7/16"X12	Z1"X11.5	O021		17.5	25.5	53.5	38
1FN-16-20	1.7/16"X12	Z1.1/4"X11.5	O021		17.5	26.5	57	46
1FN-20-16	1.11/16"X12	Z1"X11.5	O025		17.5	25.5	56	46
1FN-20	1.11/16"X12	Z1.1/4"X11.5	O025		17.5	26.5	56.5	46
1FN-20-24	1.11/16"X12	Z1.1/2"X11.5	O025		17.5	27.5	60	50
1FN-24	2"X12	Z1.1/2"X11.5	O029		17.5	27.5	59.5	55



1FN4

45° 弯美制 ORFS 外螺纹 O 形圈平面密封 / 布锥管外螺纹
45° ELBOW ORFS MALE O-RING / NPT MALE

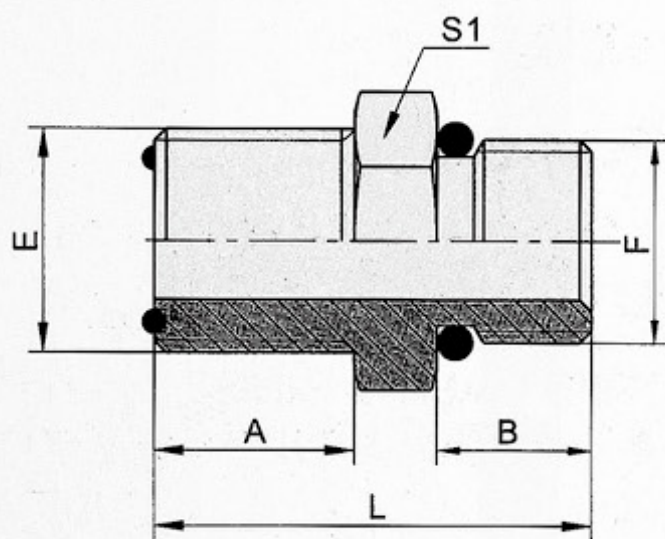
代号 PART NO.	螺纹 THREAD		O 形圈 O-RING		尺寸 DIMENSIONS		
	E	F	E 端		A	B	S1
1FN4-04-02	9/16"X18	Z1/8"X27	O011		18.3	18	14
1FN4-04	9/16"X18	Z1/4"X18	O011		18.3	21	14
1FN4-06-04	11/16"X16	Z1/4"X18	O012		20.5	22	19
1FN4-06	11/16"X16	Z3/8"X18	O012		20.5	25	19
1FN4-08-06	13/16"X16	Z3/8"X18	O014		24	26	22
1FN4-08	13/16"X16	Z1/2"X14	O014		24	28	22
1FN4-10-08	1"X14	Z1/2"X14	O016		28	31	27
1FN4-12	1.3/16"X12	Z3/4"X14	O018		30.7	35.5	30
1FN4-16	1.7/16"X12	Z1"X11.5	O021		33	40.5	36
1FN4-20	1.11/16"X12	Z1.1/4"X11.5	O025		35.5	42.5	41
1FN4-24	2"X12	Z1.1/2"X11.5	O029		39	46.5	50



1FN9

90° 弯美制 ORFS 外螺纹 O 形圈平面密封 / 布锥管外螺纹
90° ELBOW ORFS MALE O-RING / NPT MALE

代号 PART NO.	螺纹 THREAD		O 形圈 O-RING		尺寸 DIMENSIONS		
	E	F	E 端	F 端	A	B	S1
1FN9-04-02	9/16X18	Z1/8"X27	O011		23	24	14
1FN9-04	9/16X18	Z1/4"X18	O011		23	25.5	14
1FN9-06-04	1.1/16"X16	Z1/4"X18	O012		27	28.5	19
1FN9-06	1.1/16"X16	Z3/8"X18	O012		27.5	31	19
1FN9-08-06	1.3/16"X16	Z3/8"X18	O014		31	33.5	22
1FN9-08	1.3/16"X16	Z1/2"X14	O014		31	37.3	22
1FN9-10-08	1"X14	Z1/2"X14	O016		36.5	40	27
1FN9-10-12	1"X14	Z3/4"X14	O016		36.5	44	27
1FN9-12-08	1.3/16"X12	Z1/2"X14	O018		40.3	41.5	30
1FN9-12	1.3/16"X12	Z3/4"X14	O018		41	45.5	30
1FN9-16-12	1.7/16"X12	Z3/4"14	O021		44.5	49	36
1FN9-16	1.7/16"X12	Z1"X11.5	O021		44.5	51.5	36
1FN9-20-16	1.11/16"X12	Z1"X11.5	O025		44.5	54.5	41
1FN9-20	1.11/16"X12	Z1.1/4"X11.5	O025		47.5	54.5	41
1FN9-24	2"X12	Z1.1/2"X11.5	O029		53.5	61	50

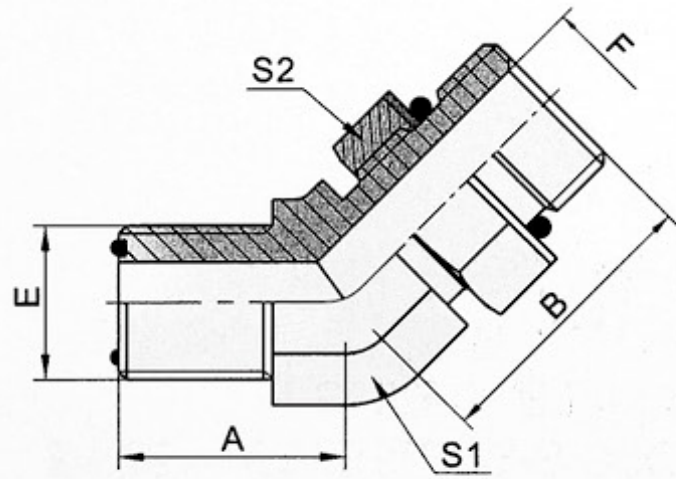


1FO

美制 ORFS 外螺纹 O 形圈平面密封 /
美制 SAE 外螺纹带 O 形圈重系列 ISO 11926-2
ORFS MALE O-RING /
SAE O-RING BOSS S-SERIES ISO 11926-2

代号 PART NO.	螺纹 THREAD		O 形圈 O-RING		尺寸 DIMENSIONS				
	E	F	E 端	F 端	A	B	L1	S1	
1FO-04	9/16"X18	7/16"X20	O011	O904	9.8	11	28.7	17	
1FO-04-05	9/16"X18	1/2"X20	O011	O905	9.8	11	28.7	17	
1FO-04-06	9/16"X18	9/16"X18	O011	O906	9.8	12	29.5	17	
1FO-04-08	9/16"X18	3/4"X16	O011	O908	9.8	14	33.5	22	
1FO-06-04	11/16"X16	7/16"X20	O012	O904	11.2	11	31	19	
1FO-06-05	11/16"X16	1/2"X20	O012	O905	11.2	11	30.9	19	
1FO-06	11/16"X16	9/16"X18	O012	O906	11.2	12	31.9	19	
1FO-06-08	11/16"X16	3/4"X16	O012	O908	11.2	14	35	22	
1FO-06-10	11/16"X16	7/8"X14	O012	O910	11.2	16	38.5	27	
1FO-09-06	13/16"X16	9/16"X18	O014	O906	12.8	12	34.5	22	
1FO-08	13/16"X16	3/4"X16	O014	O908	12.8	14	36.6	22	
1FO-08-10	13/16"X16	7/8"X14	O014	O910	12.8	16	40.5	27	
1FO-08-12	13/16"X16	1.1/16"X12	O014	O912	12.8	18.5	44.5	32	
1FO-10	1"X14	7/8"X14	O016	O910	15.5	16	43.1	27	
1FO-10-08	1"X14	3/4"X16	O016	O908	15.5	14	41	27	
1FO-10-12	1"X14	1.1/16"X12	O016	O912	15.5	18.5	47	32	
1FO-12-10	1.3/16"X12	7/8"X14	O018	O910	17	16	46	32	
1FO-12	1.3/16"X12	1.1/16"X12	O018	O912	17	18.5	48.6	32	
1FO-12-16	1.3/16"X12	1.5/16"X12	O018	O916	17	18.5	49.8	38	
1FO-16-12	1.7/16"X12	1.1/16"X12	O021	O912	17.5	18.5	50	38	
1FO-16	1.7/16"X12	1.5/16"X12	O021	O916	17.5	18.5	50.3	38	
1FO-16	1.7/16"X12	1.5/8"X12	O021	O920	17.5	18.5	52	50	
1FO-20-16	1.11/16"X12	1.5/16"X12	O025	O916	17.5	18.5	52	46	
1FO-20	1.11/16"X12	1.5/8"X12	O025	O920	17.5	18.5	52.3	50	
1FO-24-20	2"X12	1.5/8"X12	O029	O920	17.5	18.5	54	55	
1FO-24	2"X12	1.7/8"X12	O029	O924	17.5	18.5	54.1	55	

注： F 端与 ISO 11926-1 油口相配。 Note: F end is connected with ISO 11926-1 port.

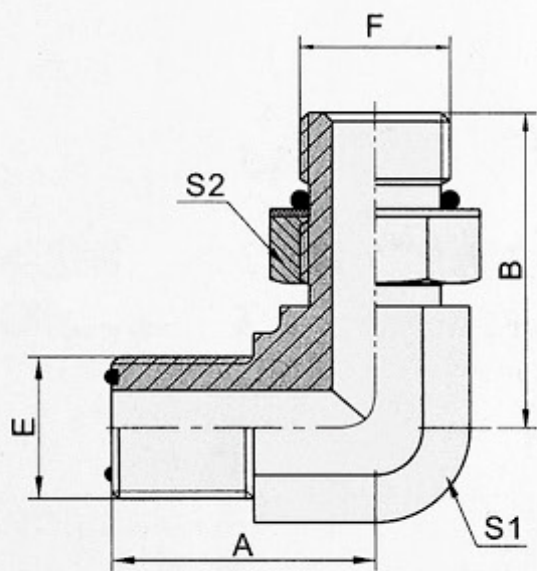


1FO4-OG

45°弯美制ORFS外螺纹O形圈平面密封/
美制SAE外螺纹带O形圈重系列ISO11926-2
45° ELBOW ORFS MALE O-RING /
SAE O-RING BOSS S-SERIES ISO 11926-2

代号 PART NO.	螺纹 THREAD		O 形圈 O-RING		尺寸 DIMENSIONS				
	E	F	E 端	F 端	A	B	S1	S2	
1FO4-04OG	9/16"X18	7/16"X20	O011	O904	18.3	26	14	17	
1FO4-04-06OG	9/16"X18	9/16"X18	O011	O904	18.3	28	14	19	
1FO4-06-04OG	11/16"X16	7/16"X20	O012	O904	20.5	27.3	19	17	
1FO4-06OG	11/16"X16	9/16"X20	O012	O904	20.5	29.5	19	19	
1FO4-06-08OG	11/16"X16	3/4"X16	O012	O904	20.5	32.5	19	24	
1FO4-08-06OG	13/16"X16	9/16"X18	O014	O904	24	30.8	22	19	
1FO4-08OG	13/16"X16	3/4"X16	O014	O904	24	34	22	24	
1FO4-08-10OG	13/16"X16	7/8"X14	O014	O904	24	39.5	22	27	
1FO4-08-12OG	13/16"X16	1.1/16"X12	O014	O904	25.5	44	27	32	
1FO4-10-08OG	1"X14	3/4"X16	O016	O904	28	34	27	24	
1FO4-10OG	1"X14	7/8"X14	O016	O904	28	41.5	27	27	
1FO4-10-12OG	1"X14	1.1/16"X12	O016	O904	28	44	27	32	
1FO4-12-10OG	1.3/16"X12	7/8"X14	O018	O904	30.7	42	30	27	
1FO4-12OG	1.3/16"X12	1.1/16"X12	O018	O904	30.7	45.5	30	32	
1FO4-12-16OG	1.3/16"X12	1.5/16"X12	O018	O904	32.5	47.9	36	41	
1FO4-16-12OG	1.7/16"X12	1.1/16"X12	O021	O904	33	47.9	36	32	
1FO4-16OG	1.7/16"X12	1.5/16"X12	O021	O904	33	47.9	36	41	
1FO4-16-20OG	1.7/16"X12	1.5/8"X12	O021	O904	35.5	48.5	41	50	
1FO4-20OG	1.11/16"X12	1.5/8"X12	O025	O904	35.5	48.8	41	50	
1FO4-20-24OG	1.11/16"X12	1.7/8"X12	O025	O904	38	51	48	55	
1FO4-24OG	2"X12	1.7/8"X12	O029	O904	39	52	50	55	

注： F 端与 ISO 11926-1 油口相配。 Note: F end is connected with ISO 11926-1 port.



1F09-OG

90°弯美制ORFS 外螺纹O形圈平面密封/
美制SAE外螺纹带O形圈重系列ISO 11926-2
90° ELBOW ORFS MALE O-RING /
SAE O-RING BOSS S-SERIES ISO 11926-2

代号 PART NO.	螺纹 THREAD		O 形圈 O-RING		尺寸 DIMENSIONS				
	E	F	E 端	F 端	A	B	S1	S2	
1F09-04OG	9/16"X18	7/16"X20	O011	O904	23	30.3	14	17	
1F09-04-06OG	9/16"X18	9/16"X18	O011	O906	23	32	14	19	
1F09-06-04OG	11/16"X16	7/16"X20	O012	O904	27.5	33.5	19	17	
1F09-06OG	11/16"X16	9/16"X18	O012	O906	27.5	34.5	19	19	
1F09-06-08OG	11/16"X16	3/4"X16	O012	O908	27.5	38	19	24	
1F09-06-10OG	11/16"X16	7/8"X14	O012	O910	29	47	22	27	
1F09-08-06OG	13/16"X16	9/16"X18	O014	O906	31	37	22	19	
1F09-08OG	13/16"X16	3/4"X16	O014	O908	31	40.5	22	24	
1F09-08-12OG	13/16"X16	7/8"X14	O014	O910	31	45.3	22	27	
1F09-08-12OG	13/16"X16	1.1/16"X12	O014	O912	34.5	52	27	32	
1F09-10-08OG	1"X14	3/4"X16	O016	O908	36.5	45	27	24	
1F09-10OG	1"X14	7/8"X14	O016	O910	36.5	50.8	27	27	
1F09-10-12OG	1"X14	1.1/16"X12	O016	O912	36.5	52	27	32	
1F09-12-10OG	1.3/16"X12	7/8"X14	O018	O910	41	52.8	30	27	
1F09-12OG	1.3/16"X12	1.1/16"X12	O018	O912	41	54	30	32	
1F09-12-16OG	1.3/16"X12	1.5/16"X12	O018	O916	43	55.5	33	41	
1F09-16-12OG	1.7/16"X12	1.1/16"X12	O021	O912	44.5	59	36	32	
1F09-16OG	1.7/16"X12	1.5/16"X12	O021	O916	44.5	59	36	41	
1F09-20OG	1.11/16"X12	1.5/8"X12	O025	O920	47.5	60.5	41	50	
1F09-20-24OG	1.11/16"X12	1.7/8"X12	O025	O924	51.5	66.5	48	55	
1F09-24-20OG	2"X12	1.5/8"X12	O029	O920	53.5	67.5	50	50	
1F09-24OG	2"X12	1.7/8"X12	O029	O924	53.5	67.5	50	55	

注: F 端与 ISO 11926-1 油口相配。 Note: F end is connected with ISO 11926-1 port.